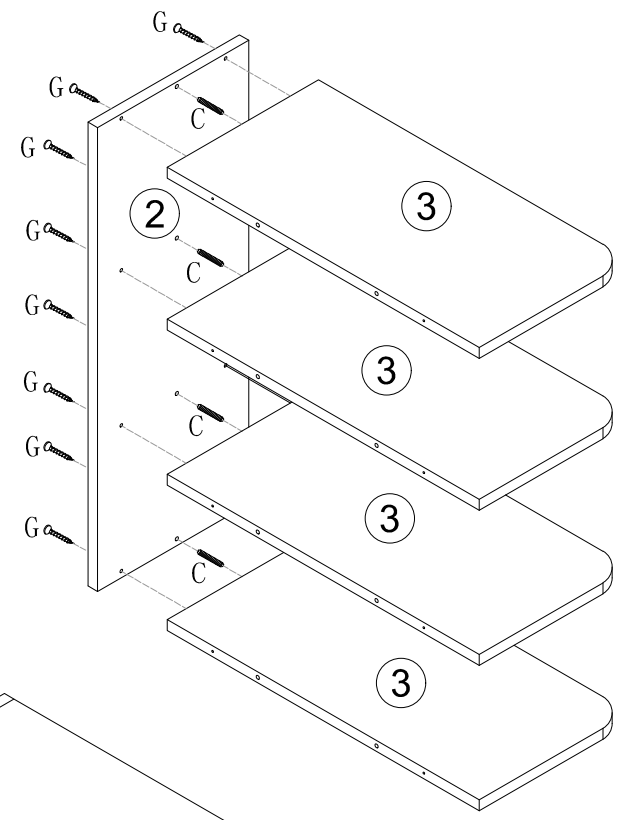
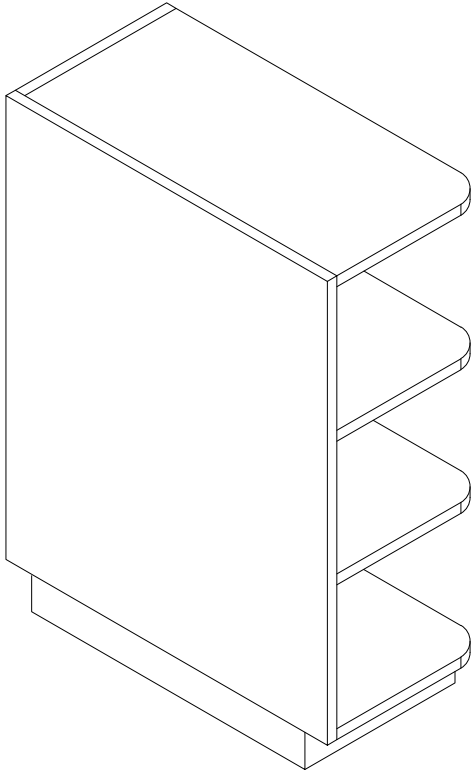


# ASSEMBLY INSTRUCTIONS

BWN12

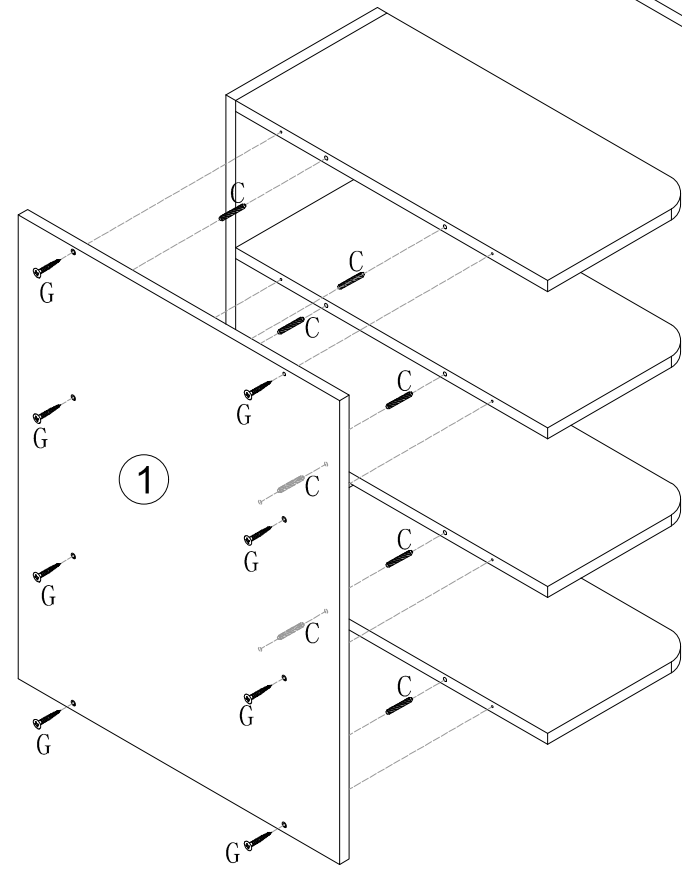
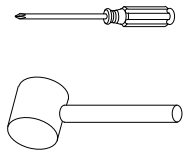
Step 1



## Parts list

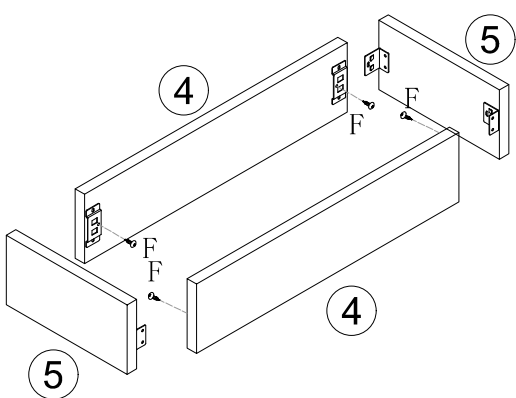
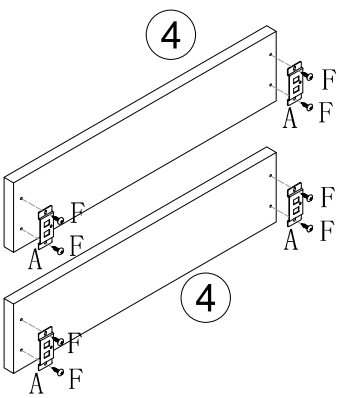
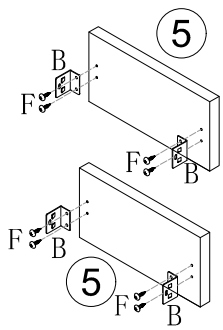
| NO. | Parts | QTY | NO. | Parts | QTY |
|-----|-------|-----|-----|-------|-----|
| A   |       | 4   | F   |       | 20  |
| B   |       | 4   | G   |       | 16  |
| C   |       | 12  |     |       |     |
| D   |       | 16  |     |       |     |
| E   |       | 4   |     |       |     |

## Tools (required but not provided)



Step 2

Finished



Left

Right

